

Side-Mounting Clamps for Base Station Antennas

DESCRIPTION

- These side-mounting clamps are used when a base station antenna has to be side-mounted on the supporting lattice mast or mast tube.
- The SMC 500 has a side-mounting distance of approx. 0.5 m and the SMC 1000 a side-mounting distance of approx. 1.0 m.
- The clamp types can be supplied with U-bolts, for masts with diameter 15 – 65 mm (typical: lattice mast legs), for mast tubes with diameter between 65 and 105 mm, and for mast tubes with diameter between 105 and 115 mm. (See table below).
- The brackets are mainly intended for all the omnidirectional antennas provided with type “C” or “LW” clamp, but can also readily be used together with all “GP”-antennas for 38 mm mast tubes or for carrying directional antennas.
- The brackets are made of hot-dipped galvanized steel and all accompanying fittings are in stainless steel (mounting plate for the model up to 115 mm is in stainless steel).



ORDERING

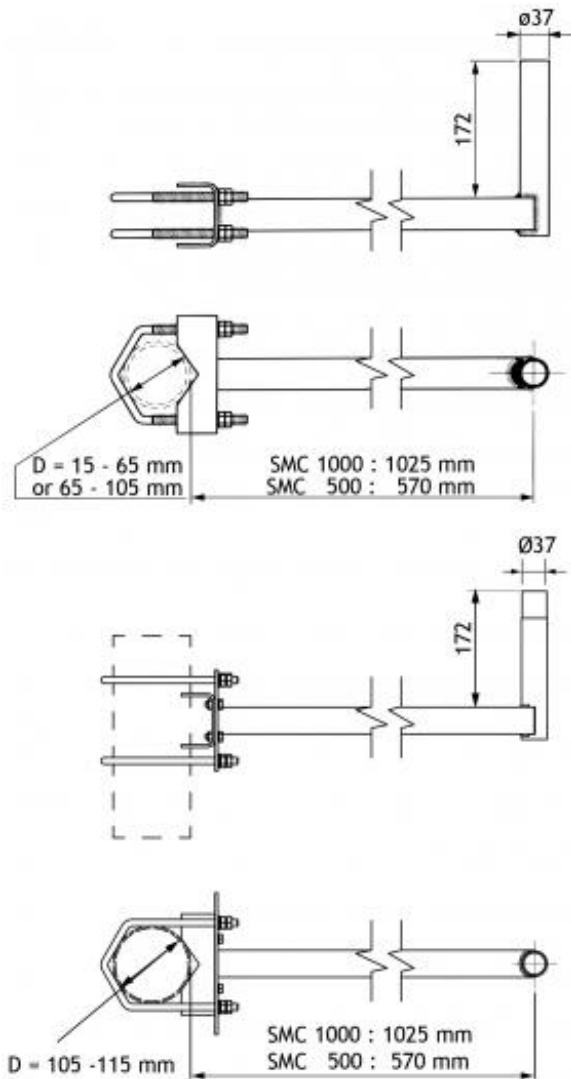
Type	Product No.	Description	Frequency
SMC 500/15-65	100000049	2 pcs. 65 mm U-bolts 8 pcs. M8 nuts 4 pcs. washers	15 - 65 mm
SMC 500/65-105	100000048	2 pcs. 105 mm U-bolts 8 pcs. M10 nuts 4 pcs. washers	65 - 105 mm
SMC 500/105-115	100000527	2 pcs. 115 mm U-bolts 8 pcs. M10 nuts 4 pcs. washers 4 pcs. M8 screws 4 pcs. M8 spring washers 4 pcs. M8 nuts 1 pcs. mounting plate	105 - 115 mm
SMC 1000/15-65	100000045	2 pcs. 65 mm U-bolts 8 pcs. M8 nuts 4 pcs. washers	15 - 65 mm
SMC 1000/65-105	100000051	2 pcs. 105 mm U-bolts 8 pcs. M10 nuts 4 pcs. washers	65 - 105 mm
SMC 1000/105-115	100000525	2 pcs. 115 mm U-bolts 8 pcs. M10 nuts 4 pcs. washers 4 pcs. M8 screws 4 pcs. M8 spring washers 4 pcs. M8 nuts 1 pcs. mounting plate	105 - 115 mm

SPECIFICATIONS

Mechanical	
Wind Area	SMC 500: 0.027 m- SMC 1000: 0.046 m-
Stand-Off Distance	SMC 500: Approx. 570 mm SMC 1000: Approx. 1025 mm
Wind Load	SMC 500: 34 N @ 160 km/h SMC 1000: 58 N @ 160 km/h
Weight	SMC 500: Approx. 3.6 kg SMC 1000: Approx. 4.7 kg

ADDITIONAL DATA

DIMENSIONS



PLEASE NOTE

The optimum position for an omnidirectional antenna is at the top of the mast as this ensures undisturbed radiation in all horizontal directions.

Mounting of an omnidirectional antenna at the side of a mast imposes some distortion of the radiation pattern as well as the SWR. The influence is dependent on the distance to the mast and the mast diameter.

Often this effect can be advantageously exploited to create directional patterns when a certain "preferred area" has to be covered by the antenna system.

