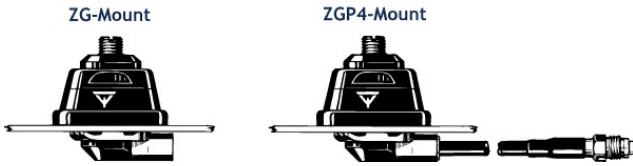


colinear 4 dB Mobile Antenna for the 900 MHz Band

DESCRIPTION

- Encapsulated phasing coil.
- Black-chromed stainless steel whip.
- 3 models, type "l", "m" and "h" cover band segments suiting the most common 900 MHz CELLULAR networks such as EAMPS, ETACS, NMT-900 and EGSM.
- Stainless steel ZG-mount with M8 x 1-thread whip-fastening system.
- Simple mounting exclusively with access from the outside.
- Choice between two connection principles:
 - ZG-mount: FME-connection (supplied without cable).
 - ZGP4-mount: Permanently attached 4 m low loss cable terminated with FME-connector.

The whip is compatible with all below mounts



ORDERING

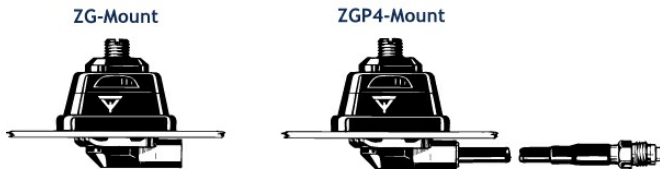
Type	Product No.	Description	Frequency
MU 911-ZG/l	130001248	ZG-mount with FME	824 - 894 MHz (EAMPS)
MU 911-ZG/m	130001250		872 - 950 MHz (ETACS)
MU 911-ZG/h	130001246		880 - 960 MHz (EGSM&NMT-900)
MU 911-ZGP4/l	130001249	ZGP4-mount with 4 m cable and FME-connector	824 - 894 MHz (EAMPS)
MU 911-ZGP4/m	130001251		872 - 950 MHz (ETACS)
MU 911-ZGP4/h	130001247		880 - 960 MHz (EGSM&NMT-900)

SPECIFICATIONS

Electrical	
Model	MU 911-ZG/...
Frequency	900 MHz-band covered by three models
Antenna Type	Collinear mobile antenna
Polarisation	Vertical
Impedance	50 Ω
Maximum Input Power	60 W
Gain (EIA RS-329-1)	4 dB
Mechanical	
Materials	Whip: Stainless steel and brass, black-chromed Mount: Black-chromed brass Weather- and shockproof plastics Stainless steel
Installation Torque	7.5 +/- 1 Nm
Colour	Black (RAL 9005)
Height	350 mm / 13.78 in.
Weight	ZG-version: Approx. 110 g ZGP4-version: Approx. 250 g
Mounting	21 mm dia. hole

ADDITIONAL DATA

The whip is compatible with all below mounts



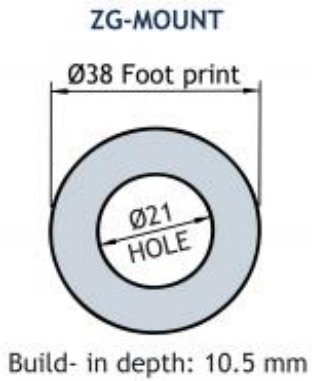
INSTALLATION

This antenna should always be mounted on the car roof to ensure best omnidirectional coverage. The antenna is provided with our type ZG-mount for mounting from the outside in a 21 mm dia. hole.

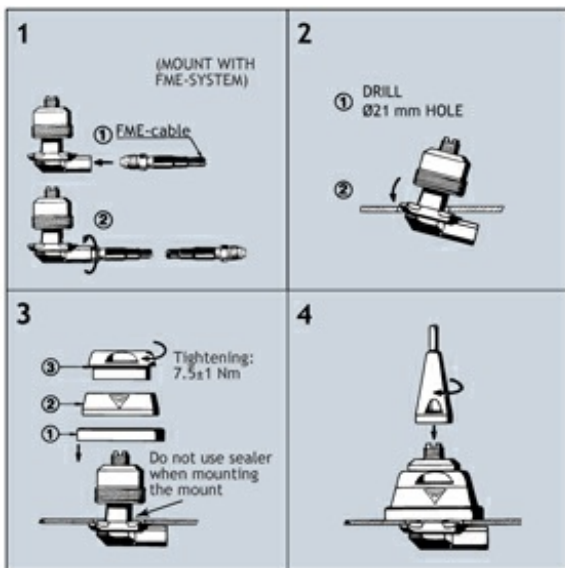
The ZG-mount is provided with an M8 x 1 thread mount system. This construction meets the demand for a low-profile mobile mount with a slim appearance and with protection against theft of the antenna whip.

When cleaning the car in car-washing machines, the whip is easily removed using a spanner, size 12 mm. The whip is refitted again by screwing it onto the thread stud and tightening it with the spanner.

1. INSTALLATION DIMENSIONS



2. INSTALLATION STEPS



Do not use sealer on rubber gasket or other places.

3. TUNING

The antenna is delivered factory-tuned and requires no further tuning.

