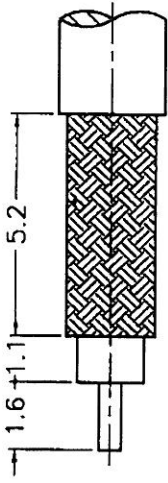
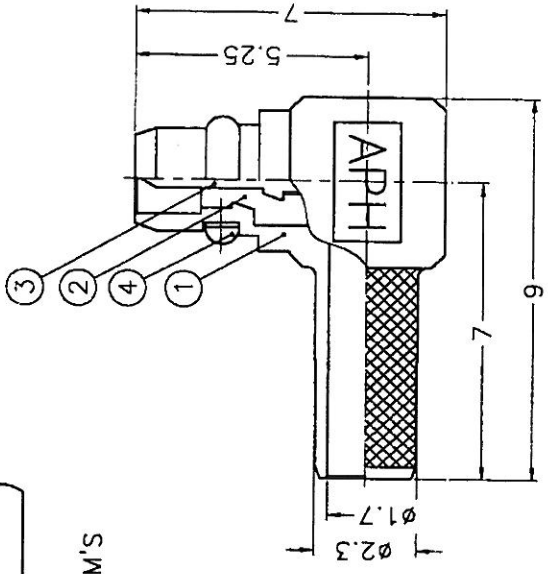
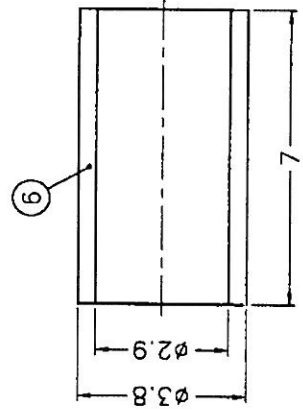


1 2 3 4 5 6 7 8

SALES



RECOMMENDED
CABLE STRIPPING DIM'S
(建議剝線尺寸)



ISSUED
2002.2.26
R&D

1. CRIMPED FERRULE
HEX. CRIMP SIZE .128"
2. CONTACT PIN TO SOLDER

- NOTES: FINISH (PLATING THICKNESS IN MICRO-INCHES)
1. BRASS PER QQ-8-626
 2. BRASS PER QQ-8-613
 3. GOLD PL. 3 MIN. THICK OVER NICKEL PL. 100 MIN. THICK OVER COPPER STRIKE
 4. BERYLLIUM COPPER PER QQ-C-530
 5. GOLD PL. 30 MIN. THICK OVER NICKEL PL. 100 MIN. THICK OVER COPPER STRIKE
 6. TEFLON MIL-P-19468
 7. ZINC DIECAST

REVISIONS		PART NO.		DRAWING NO.	
ISS	ZONE	DESCRIPTION	PER REQUEST	DATE	
6	FERRULE	COPPER	NOTE 3	1	FR-38/29X7C
5	COVER	NOTE 2	NOTE 3	1	CV-29X05-T
4	RETAINER RING	NOTE 4	NOTE 3	1	MMCX1121A1-5-D
3	CONTACT PIN	NOTE 1	NOTE 5	1	CP09AA01A
2	INSULATOR	NOTE 6	NATURAL	1	NS09AA01A
1	BODY	NOTE 7	NOTE 3	1	BD09AA01A
NO.	DESCRIPTION	MATERIAL	FINISH	QTY	DRAWING NO.
1				2	
DIMENSIONS ARE IN MILLIMETERS		UNLESS OTHERWISE SPECIFIED TOLERANCES		SCALE 6/1	
APPROVED		DATE		FILE NO.	
CHECKED		DATE		A	
DRAWN		DATE		4	
TAINAN TAIWAN		02-19-02'		3	
MMCX R/A CRIMP PLUG		02-19-02'		2	
(FOR RG-174/U,188A/U,316/U)		02-19-02'		1	
DRAWING NO.		DATE		3	
KJ-MMCX112D2-3GT30G-316U-50		02-19-02'		2	
ITEM NO.		DATE		1	
091112AAD36GE5F		02-19-02'		3	
TAINAN TAIWAN		02-19-02'		4	
MMCX R/A CRIMP PLUG		02-19-02'		5	
(FOR RG-174/U,188A/U,316/U)		02-19-02'		6	
DRAWING NO.		DATE		7	
KJ-MMCX112D2-3GT30G-316U-50		02-19-02'		8	
ITEM NO.		DATE		9	
091112AAD36GE5F		02-19-02'		10	

7RD-DR 138938