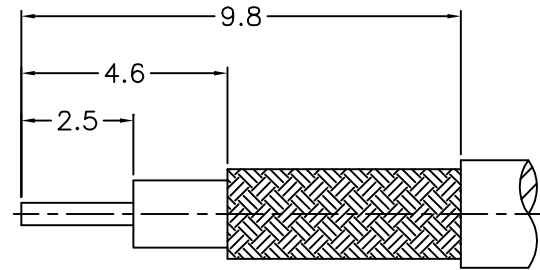


1 2 3 4 5 6 7 8

REVISIONS		
ISS	ZONE	DESCRIPTION\PER REQUEST\DATE



RECOMMENDED
CABLE STRIPPING DIM'S
(建議剝線尺寸)

F

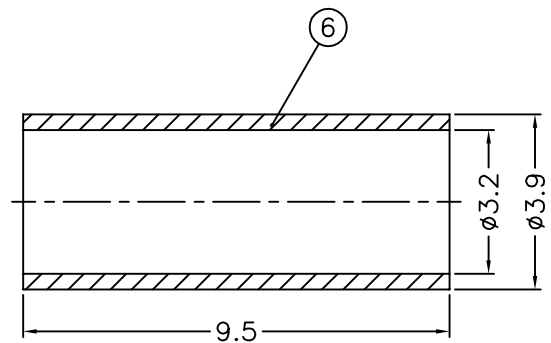
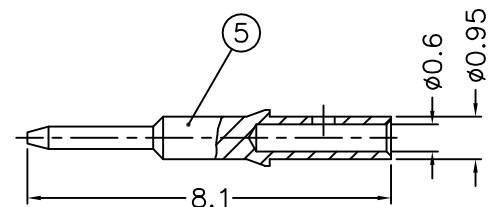
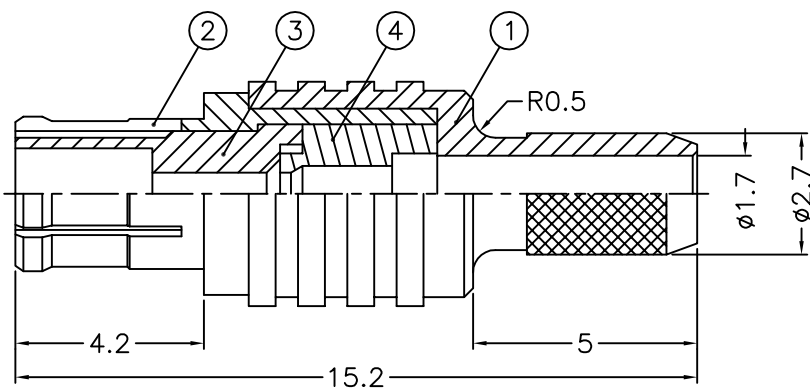
E

D

C

B

A



- NOTES: FINISH (PLATING THICKNESS IN MICRO-INCHES)
1. BRASS
 2. THIN GOLD OVER NICKEL PL. 50 MIN. THICK OVER COPPER PL. 50 MIN. THICK
 3. BERYLLIUM COPPER
 4. GOLD PL. 3 MIN. THICK OVER NICKEL PL. 50 MIN. THICK OVER COPPER PL. 50 MIN. THICK
 5. TEFLON

1. CRIMPED FERRULE
HEX CRIMP SIZE .128"
2. CRIMPED CONTACT PIN
SQ. CRIMP SIZE 0.7mm

NO.	DESCRIPTION	MATERIAL	FINISH	Q'TY	DRAWING NO.
6	FERRULE	NOTE 1	NOTE 2	1	FR-32-39-95
5	CONTACT PIN	NOTE 1	NOTE 4	1	400-1121A1-5 -0.6
4	INSULATOR	NOTE 5	NATURAL	1	400-1121A1-4T
3	INSULATOR	NOTE 5	NATURAL	1	400-1121A1-3 -50T
2	BODY	NOTE 3	NOTE 2	1	400-1121A1-2
1	HOUSING	NOTE 1	NOTE 2	1	400-1121A1-1 -05

DIMENSIONS ARE IN MILLIMETERS
UNLESS OTHERWISE SPECIFIED
TOLERANCES
0.5-6 = ±0.2
6-30 = ±0.4
30-120 = ±0.6
120-315 = ±1
315-1000 = ±1.6
1000-2000 = ±2.4

PART NO.	
APPROVED	DATE 02-13-'12
CHECKED	DATE 02-13-'12
DRAWN	DATE 02-13-'12

TITLE	
MCX CRIMP PLUG (FOR RG-174, 188A, 316, LMR100)	
DRAWING NO. 400-1121A4-02-50	
FILE NO. R:\D\G\DWG\400\1121A4\02\50-1	

NO.	DESCRIPTION	MATERIAL	FINISH	Q'TY	DRAWING NO.	SCALE	6/1	ISSUE	A

1 2 3 4 5 6 7 8

F

E

D

C

B

A