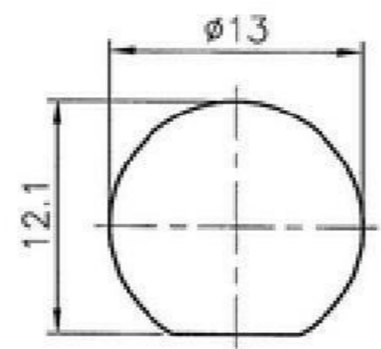


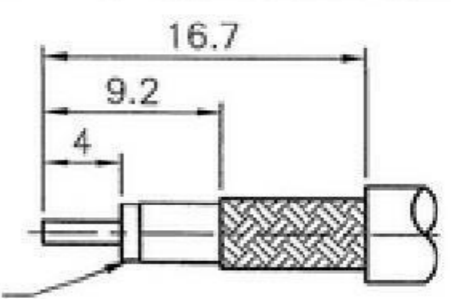
REVISIONS		
ISS	SYMBOL	DESCRIPTION\DATE
A1		2417-03BNTG-R 型式轉來\09/29/07

FOR CUSTOMER

REMARK: RoHS COMPLIANT
(符合 RoHS)

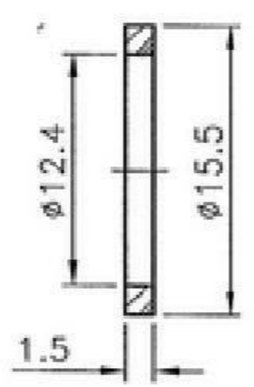
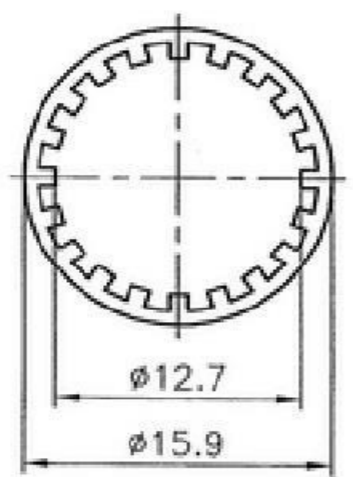
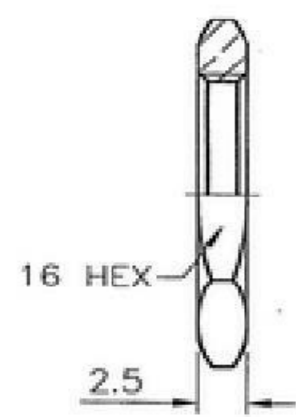


RECOMMENDED MOUNTING HOLE
(建議架設孔)

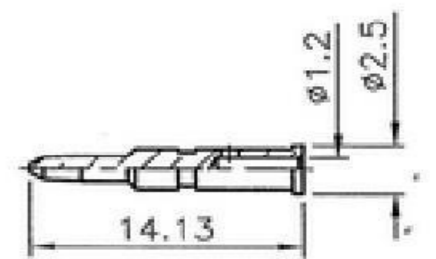
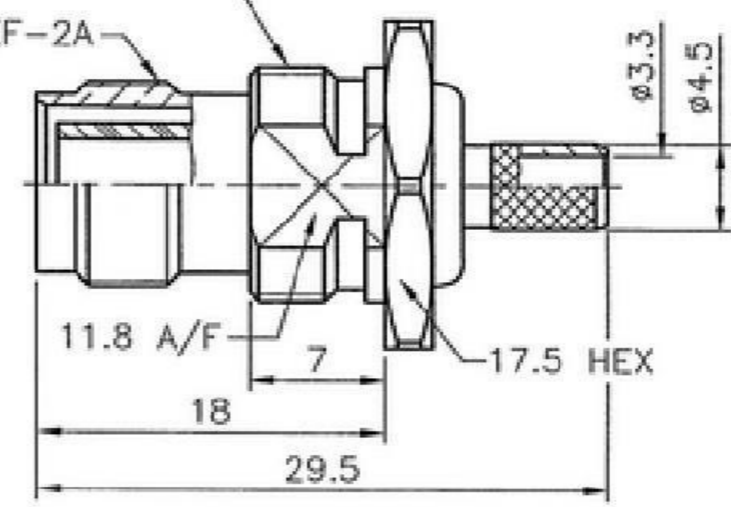


RECOMMENDED CABLE STRIPPING DIM'S
(建議剝線尺寸)

REMOVE FOIL 1mm MIN.
(去除箔膜 1mm 以上)

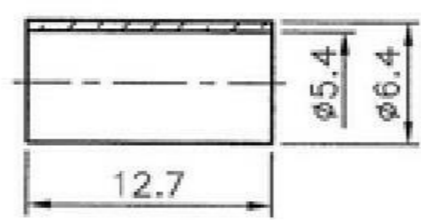


1/2-28UNEF
7/16-28UNEF-2A



- NOTES: FINISH (PLATING THICKNESS IN MICRO-INCHES)
- BRASS PER QQ-B-626
 - NICKEL PL 70 MIN THICK OVER COPPER STRIKE
 - GOLD PL 3 MIN OVER NICKEL PL 70 MIN THICK OVER COPPER STRIKE
 - TEFLON MIL-P-19468
 - BRASS JIS H 3250, C 2700

- CRIMPED FERRULE
HEX CRIMP SIZE .213" (5.41mm)
(套管壓著工具)
- CRIMPED CONTACT PIN
HEX CRIMP SIZE .068" (1.72mm)
(中心針壓著工具)
- MAX. PANEL THICKNESS=3.5mm
(最大板厚)



NO.	DESCRIPTION	MATERIAL	FINISH	Q'TY	DRAWING NO.
	NUT		NOTE 1	NOTE 2	
	WASHER	SS41		NOTE 2	
	GASKET	RUBBER		ORANGE	
	FERRULE		NOTE 5	NOTE 2	
	CONTACT PIN		NOTE 1	NOTE 3	
	BRAID HOLDER		NOTE 1	NOTE 2	
	INSULATOR		NOTE 4	WHITE	
	BODY		NOTE 1	NOTE 2	

DIMENSIONS ARE IN MILLIMETERS				PART NO.	
UNLESS OTHERWISE SPECIFIED TOLERANCES (一般公差)				APPROVED	DATE
0.5~6 = ±0.2					09/29/07
>6~30 = ±0.4				CHECKED	DATE
>30~120 = ±0.6					09/29/07
>120~315 = ±1				DRAWN	DATE
>315~1000 = ±1.6					09/29/07
ANGLES(角度) = ±5'				TITLE	
				TNC R/P BULKHEAD CRIMP JACK (FOR LMR-200,B7807A)	
				DRAWING NO. 2461DS503BF000B	
				FILE NO. Z:\NND\2461\DS\503\000\2461DS503BF000B-A1	