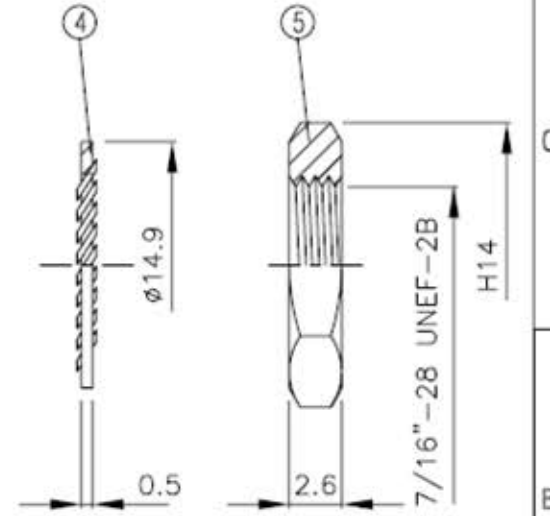
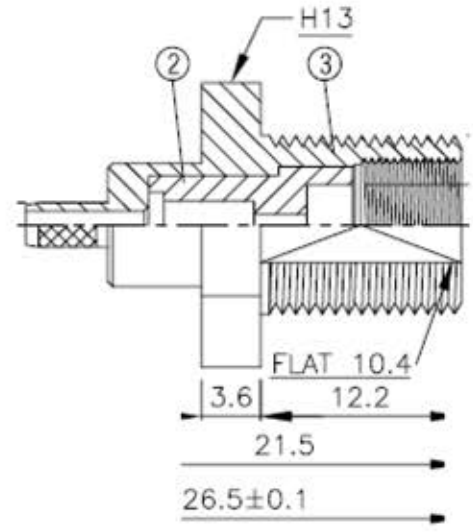
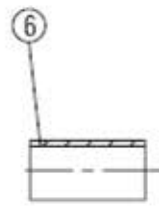
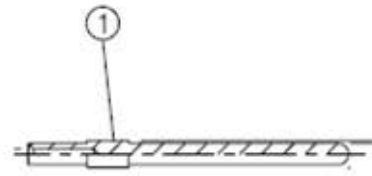
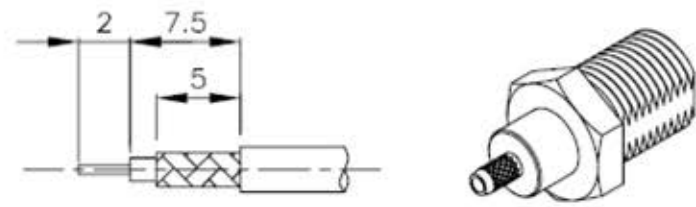


NO	DESCRIPTION	MATERIAL	Q'TY	FINISH	REMOEK
1	PIN	BRASS	1	GOLD	P-FME0004-G
2	INSULATION	TEFLON	1	TEFLON	I-0090T
3	BODY	BRASS	1	NICKEL	B-FME0258-N
4	WASHER	BRASS	1	NICKEL	W-0028-N
5	NUT	BRASS	1	NICKEL	N-0017-N
6	RING	BRASS	1	NICKEL	R-0001-N



Item number: 7444V1  
FME male crimp Bulkhead for RG316

DRAWN	MARY	DATE	91.02.25	DIMENSIONS ARE IN MILLIMETERS		REVISION	
CHECKED	黃巧君	DATE	91.02.25	UNLESS OTHERWISE SPECIFIED TOLERANCE		DESCRIPTION	ENGINEER
Q.A.	蘇姿潔	DATE		0.5-5=±0.2	120-315=±1		
APPROVAL	徐燦霖	DATE		5-30= ±0.4	315-1000=±1.6		
REVISION		DATE		30-120±0.6	1000-2000=±2.4		
				SCALE	4:1	SIZE	A