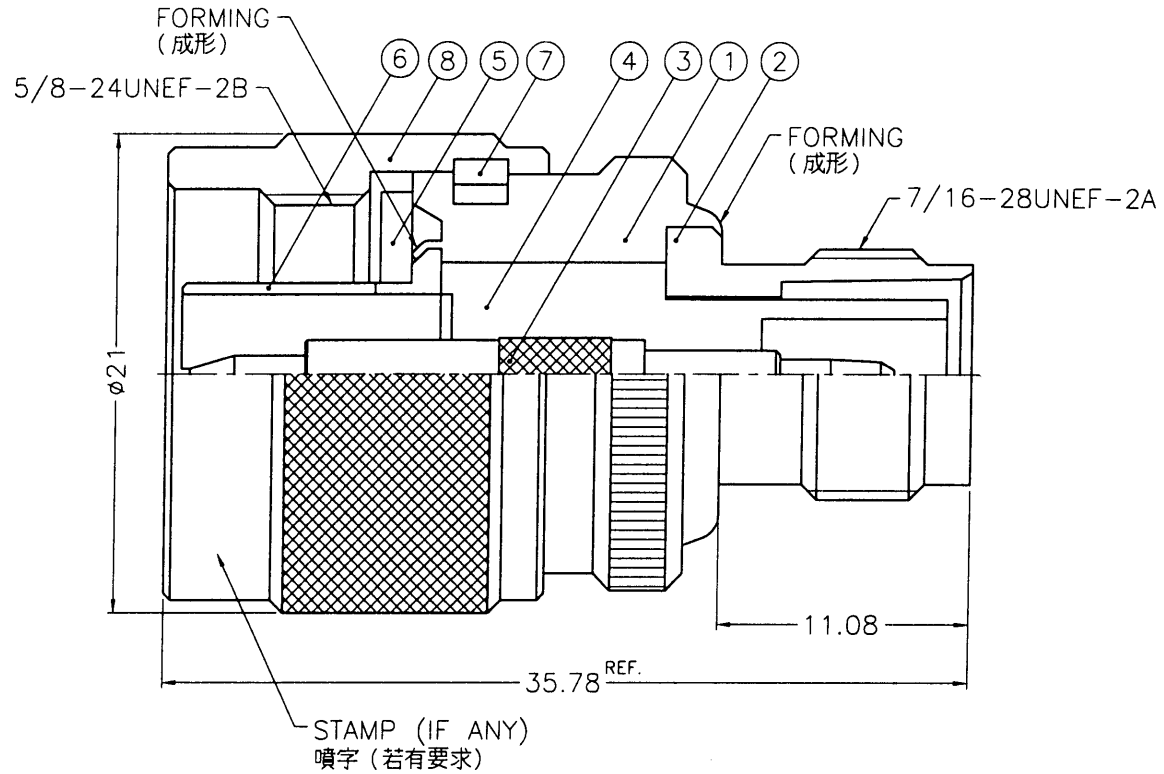


REVISIONS		
ISS	ZONE	DESCRIPTION\PER REQUEST\DATE

**SALES**



NOTES: FINISH (PLATING THICKNESS IN MICRO-INCHES)  
 1. BRASS PER QQ-B-626  
 2. NICKEL PL. 100 MIN. THICK OVER COPPER STRIKE  
 3. GOLD PL. 3 MIN. THICK OVER NICKEL PL. 100 MIN. THICK OVER COPPER STRIKE  
 4. TEFLON MIL-P-19468

ISSUED  
 2003. 10. 24  
 R & D

NO.	DESCRIPTION	MATERIAL	FINISH	Q'TY	DRAWING NO.	SCALE	3/1	ISSUE	A1	FILE NO.	F:\DWG\NM\RTM1\50\NT3G								
8	SHELL	NOTE 1	NOTE 2	1	N5000-1-B	DIMENSIONS ARE IN MILLIMETERS UNLESS OTHERWISE SPECIFIED TOLERANCES 0.5-6 = ±0.2 6-30 = ±0.4 30-120 = ±0.6 120-315 = ±1 315-1000 = ±1.6 1000-2000 = ±2.4						PART NO.	<b>Amphenol</b> Danbury,CT,USA-Tainan,Taiwan-Shenzhen,China						
7	RETAINER RING	SUS 304	NATURAL	1	N5000-7-C							APPROVED			<i>Andy C</i>	DATE	10-22-03'	TITLE	N MALE TO TNC REVERSE POLARITY MALE ADAPTOR
6	CONTACT BODY	NOTE 1	NOTE 2	1	N5000-5							CHECKED			<i>Andy C</i>	DATE	10-22-03'	DRAWING NO.	NM-RTM1-NT3G-50
5	GASKET	SILICONE	RED	1	GS-156/8X15							DRAWN			<i>Angela W</i>	DATE	10-22-03'	ITEM NO.	03M-52M1-NA-5-F
4	INSULATOR	NOTE 4	NATURAL	1	NS00ATW01A														
3	CONTACT PIN	NOTE 1	NOTE 3	1	CP00AJF01A														
2	BODY	NOTE 1	NOTE 2	1	BD02ACD01A														
1	BODY	NOTE 1	NOTE 2	1	NM-SMAF1-2														

F

F

E

E

D

D

C

C

B

B

A

A