

1 2 3 4 5 6 7 8

REVISIONS		
ISS	ZONE	DESCRIPTION\PER REQUEST\DATE

F

F

E

E

D

D

C

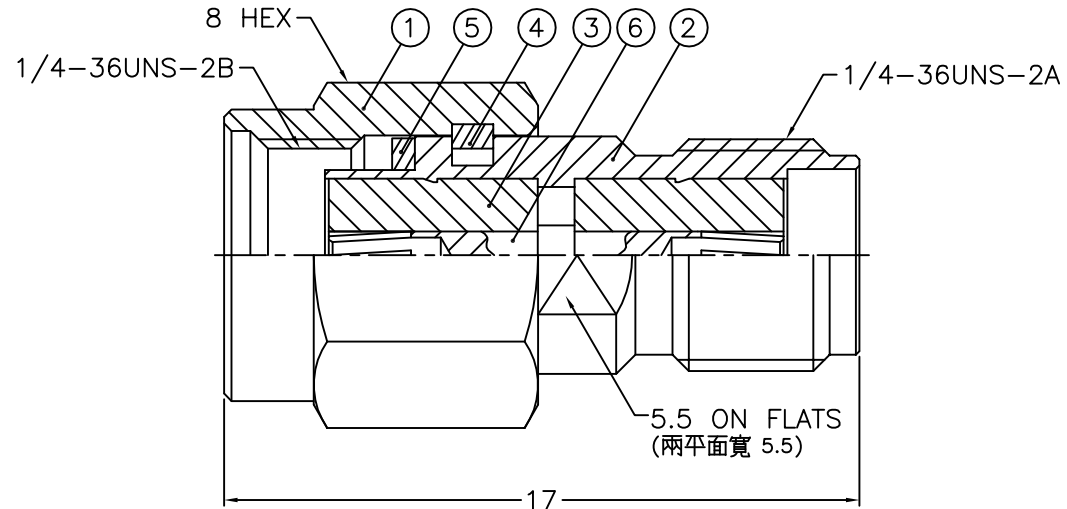
C

B

B

A

A



NOTES: FINISH (PLATING THICKNESS IN MICRO-INCHES)  
 1. BRASS  
 2. THN GOLD OVER NICKEL PL. 50 MIN THICK COPPER STRIKE  
 3. BERYLLIUM COPPER  
 4. GOLD PL. 3 MIN. THICK OVER NICKEL PL. 50 MIN. THICK OVER COPPER PL. 50 MIN. THICK  
 5. TEFLON

DIMENSIONS ARE IN MILLIMETERS						PART NO.		
6	CONTACT PIN	NOTE 3	NOTE 4	1	100-SMAF-RSMAF-6	UNLESS OTHERWISE SPECIFIED TOLERANCES		
5	GASKET	SILICONE	RED	1	GS-43-60-06	0.5-6 = ±0.2	APPROVED	DATE
4	RETAINER RING	SUS303	NATURAL	1	1436-1000-4	6-30 = ±0.4		05-28-'10
3	INSULATOR	NOTE 5	NATURAL	2	1436-5071A1-3T	30-120 = ±0.6	CHECKED	DATE
2	BODY	NOTE 1	NOTE 2	1	1436-5071A1-2	120-315 = ±1		05-28-'10
1	SHELL	NOTE 1	NOTE 2	1	1436-1000-1	315-1000 = ±1.6	DRAWN	DATE
NO.	DESCRIPTION	MATERIAL	FINISH	Q'TY	DRAWING NO.	1000-2000 = ±2.4		05-28-'10
						SCALE	5/1	ISSUE
						A		
						FILE NO. R:\D\G\DWG\100\SMAF-RSMAF2\50-1		

1 2 3 4 5 6 7 8