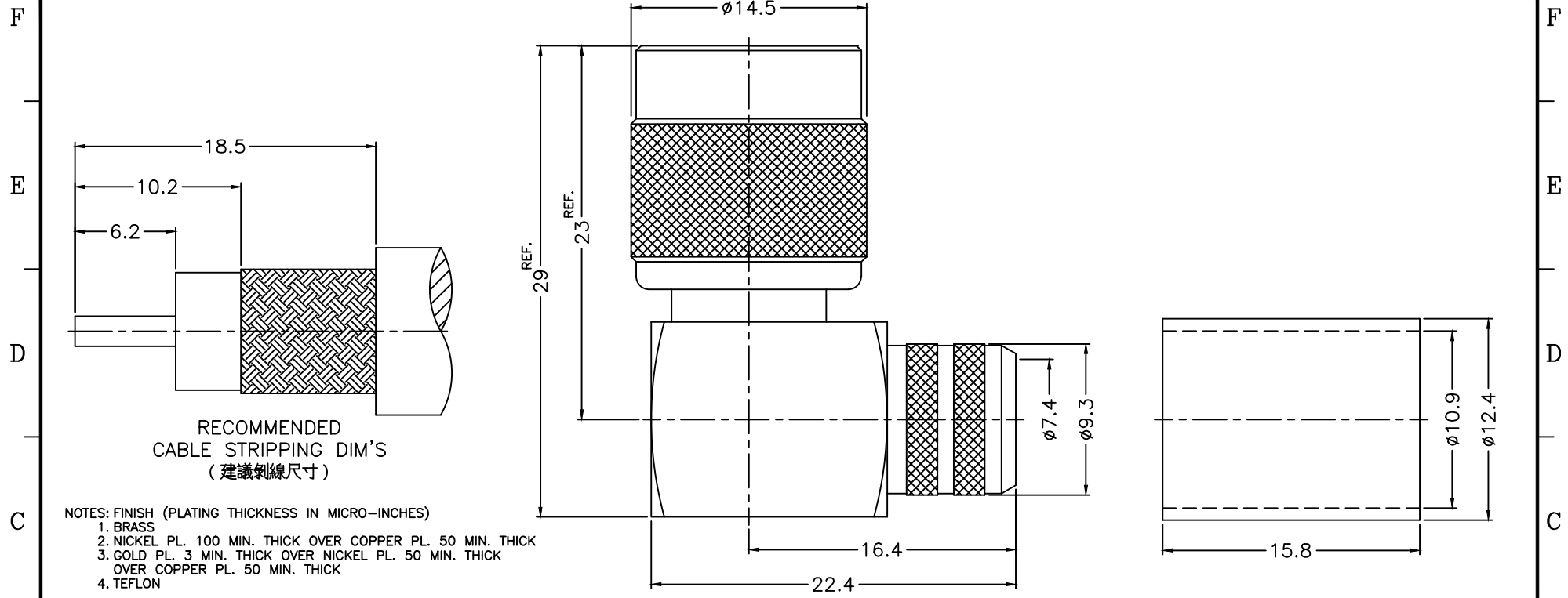


1 2 3 4 5 6 7 8

REVISIONS		
ISS	ZONE	DESCRIPTION\PER REQUEST\DATE



NOTES: FINISH (PLATING THICKNESS IN MICRO-INCHES)  
 1. BRASS  
 2. NICKEL PL. 100 MIN. THICK OVER COPPER PL. 50 MIN. THICK  
 3. GOLD PL. 3 MIN. THICK OVER NICKEL PL. 50 MIN. THICK OVER COPPER PL. 50 MIN. THICK  
 4. TEFLON

11	COVER	NOTE 1	NOTE 2	1	NUT-3832-30
10	FERRULE	NOTE 1	NOTE 2	1	FR-109-124-158
9	SHELL	NOTE 1	NOTE 2	1	71628-1000-1
8	GASKET	RUBBER	RED	1	GS-80-105-15
7	RETAINER RING	NOTE 1	NOTE 2	1	900-1000-5
6	RING	DELRIN	NATURAL	1	71628-1000-6
5	WASHER	NOTE 1	NOTE 2	1	WS-90-128-08
4	CONTACT PIN	NOTE 1	NOTE 3	1	900-1112A4-5 -2.9
3	INSULATOR	NOTE 4	NATURAL	1	900-1112A4-4 -50T
2	BODY	NOTE 1	NOTE 2	1	900-1112A4-2
1	HOUSING	NOTE 1	NOTE 2	1	71628-1112A4-1 -17
NO.	DESCRIPTION	MATERIAL	FINISH	Q'TY	DRAWING NO.

DIMENSIONS ARE IN MILLIMETERS		PART NO.	
UNLESS OTHERWISE SPECIFIED TOLERANCES		APPROVED	DATE
0.5-6 = ±0.2			03-27-'13
6-30 = ±0.4		CHECKED	DATE
30-120 = ±0.6			03-27-'13
120-315 = ±1		DRAWN	DATE
315-1000 = ±1.6			03-27-'13
1000-2000 = ±2.4			
SCALE	3/1	ISSUE	A

<b>G.L.I.</b>	
TITLE	TNC R/A CRIMP PLUG (FOR LMR400, BELDEN 9913, 9914)
DRAWING NO.	71628-1112A4-17-50
FILE NO.	R:\D\G\DWG\71628\1112A4\17\50

F  
E  
D  
C  
B  
A

F  
E  
D  
C  
B  
A

1 2 3 4 5 6 7 8