

# HUBER+SUHNER® DATA SHEET

## Within Series Adaptor: 34\_TNC-50-0-1/133\_N

Rev.: E



### Description

Bulkhead adaptor jack/jack  
 TNC jack (female) / TNC jack (female)  
 Interface standard  
 Series TNC - IEC 60169-17\_MIL-STD-348A/313\_CECC 22200



### Technical Data

#### Electrical Data

Impedance	50 Ω		
Interface frequency max.	11 GHz		
Frequency range	DC to 2 GHz	2 to 8 GHz	8 to 11 GHz
Return loss	≥ 26 dB	≥ 14 dB	≥ 10 dB

#### Mechanical Data

Number of matings	500
Weight	0.0195 kg

#### Environmental Data

Operating Temperature	-65 °C to 165 °C
2002/95/EC (RoHS)	compliant

#### Material Data

##### Piece Parts

##### Interface - TNC jack (female)

Centre contact	Copper Beryllium Alloy
Outer contact	Brass
Body	Brass
Insulator	PFA / PTFE
Gasket	VMQ (Silicone rubber)

##### Surface Plating

Gold Plating (Nickel underplated)  
 SUCOPLATE (R) Plating  
 SUCOPLATE (R) Plating

##### Interface - TNC jack (female)

Centre contact	Copper Beryllium Alloy
Outer contact	Brass
Body	Brass
Insulator	PFA / PTFE
Gasket	VMQ (Silicone rubber)

Gold Plating (Nickel underplated)  
 SUCOPLATE (R) Plating  
 SUCOPLATE (R) Plating

#### Related Documents

Outline drawing	DOU-00013573
Mounting hole	DOU-00008751

#### Ordering Information

Single package	34_TNC-50-0-1/133_NE
----------------	----------------------

HUBER+SUHNER is certified according to ISO 9001 and ISO 14001

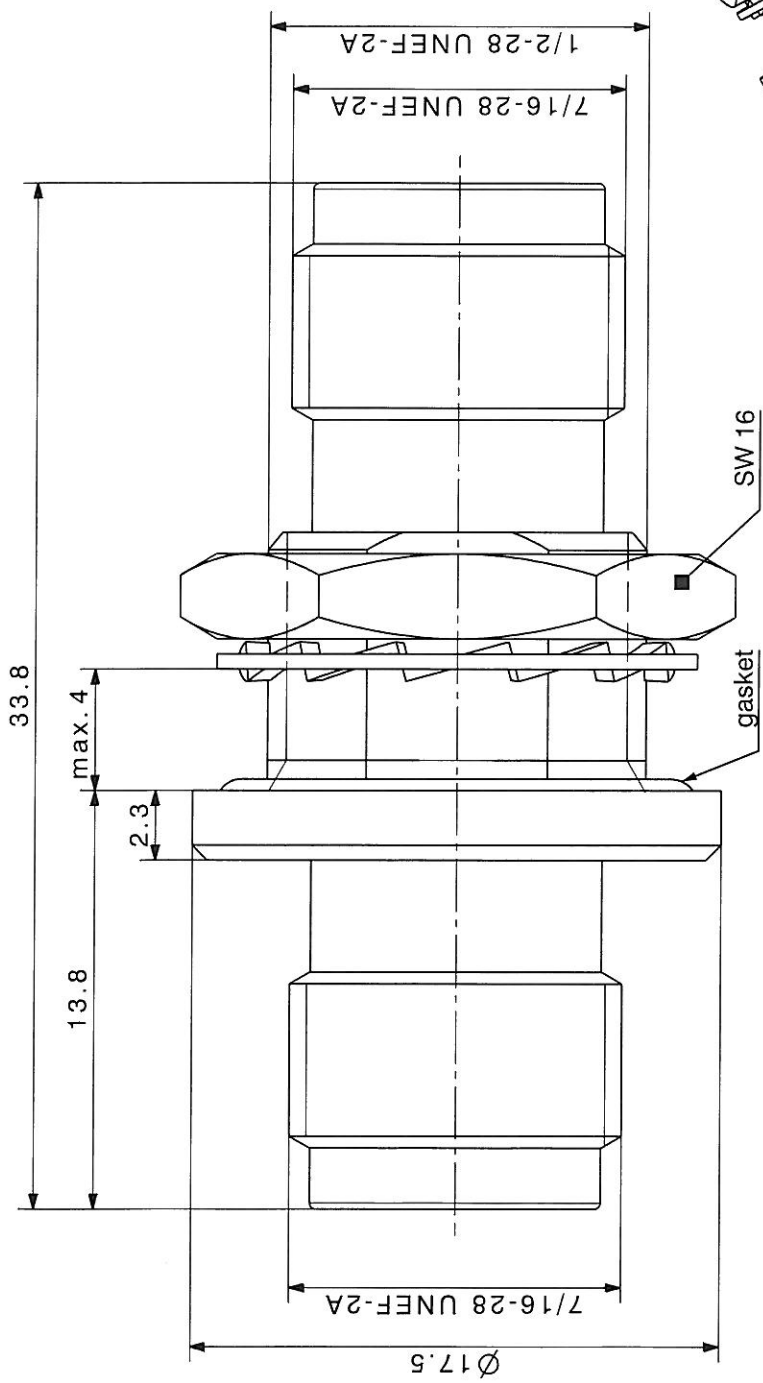
**WAIVER!**  
 It is exclusively in written agreements that we provide our customers with warrants and representations as to the technical contained specifications and/or the fitness for any particular purpose. The facts and figures herein are carefully compiled to the best of our knowledge, but they are intended for general informational purposes only.



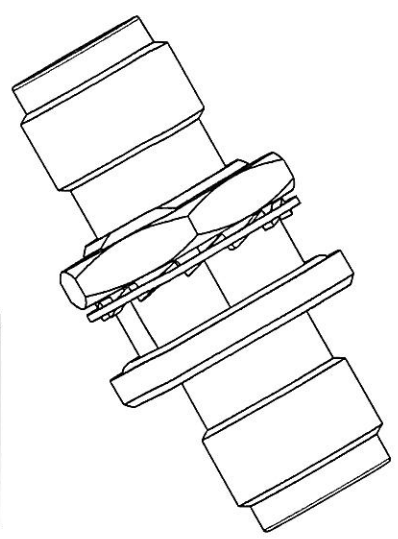
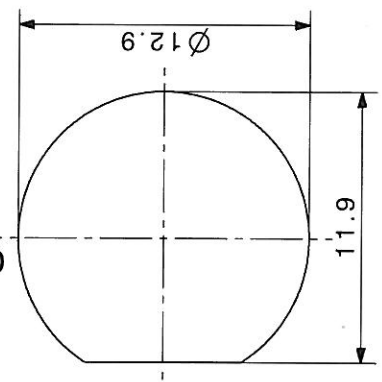
**HUBER+SUHNER AG**  
**RF Technology**  
**9100 Herisau, Switzerland**  
 Phone +41 (0)71 353 41 11  
 Fax +41 (0)71 353 45 90  
 www.hubersuhner.com

**HUBER+SUHNER – Excellence in Connectivity Solutions**

Diese Zeichnung ist unser geistiges Eigentum und darf ohne unsere Einwilligung weder kopiert, veröffentlicht noch Dritten oder Konkurrenzfirmen zugänglich gemacht werden. ( Art. 12 B.G.)  
 This drawing is copyright. Information contained thereon is supplied in confidence and must not be used for any other purpose than which it was supplied, or be reproduced without written permission of the owners.



Mounting hole ML 4



type / Typ: 34_TNC-50-0-1	part no. / Teile Nr.: PRO-00013573	B sheet/Blatt: xx / xx
⌀ dimensions in millimeter [mm]	description / Beschreibung	drawing-no. / Zeichnungsnr.
Bulkhead adaptor		Release
alternative ID: 4.13.33373		DOU-00013573 C

