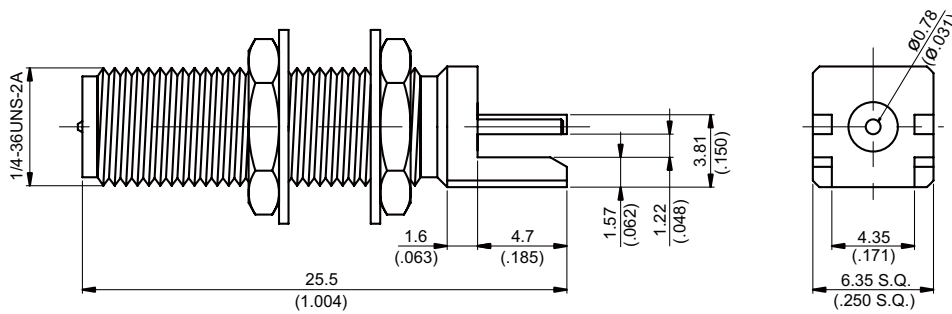


SMA9403B-0000

SMA Reverse Polarity Jack P.C.B Mount For Bulkhead 50Ω



Parts	Material	Plating (Micro-inch)
Hex Nut	Brass	Gold 5 Over Nickel 50 Over Copper 50
Lock Washer	Brass	Gold 5 Over Nickel 50 Over Copper 50
Contact Pin	Brass	Gold 20 Over Nickel 50 Over Copper 50
Insulator	Teflon	
Body	Brass	Gold 5 Over Nickel 50 Over Copper 50

Weight: 4.52 g

This part number complies with RoHS.

Notice: JYEBAO reserves the right to make modifications deemed appropriate.