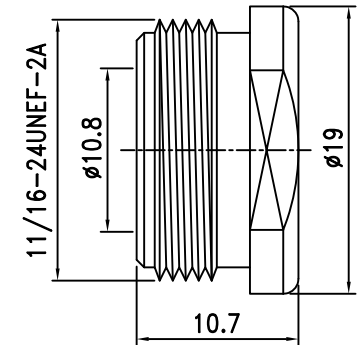
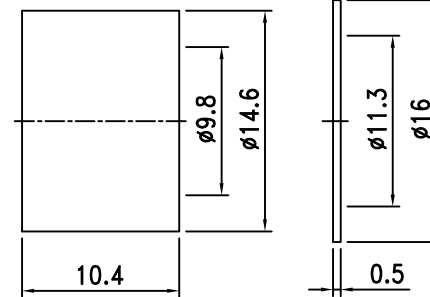
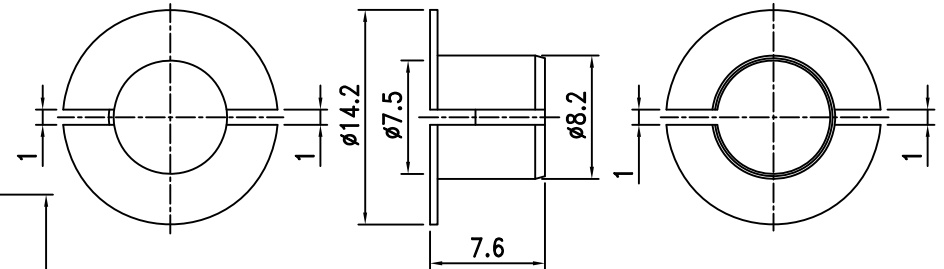
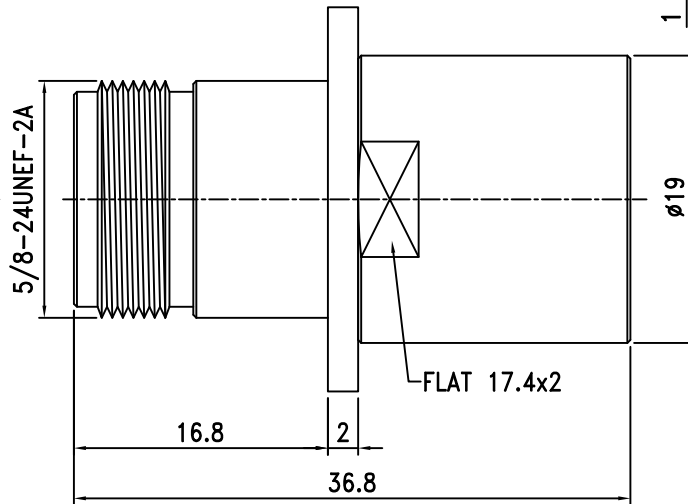
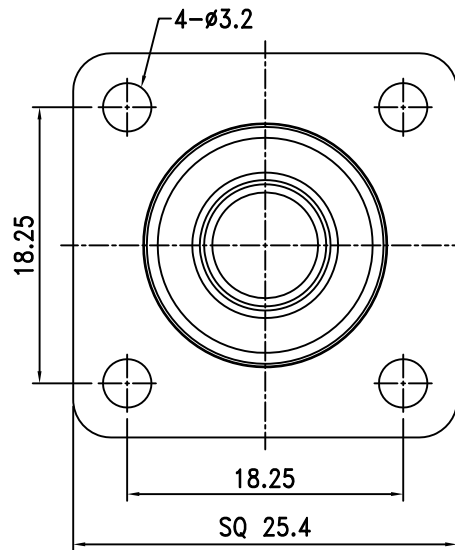
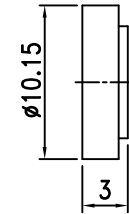
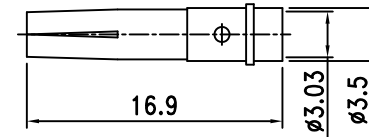
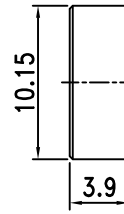


RECOMMENDED  
CABLE STRIPPING DIM'S



9.	Nut	Brass	1	White bronze
8.	Washer	Brass	1	White bronze
7.	Gasket	Silicone	1	Black
6.	Braid Clamp	Brass	1	White bronze
5.	Press Fit Flange	Brass	1	White bronze
4.	Insulation	Teflon	1	White
3.	Insulation	Teflon	1	White
2.	Pin	Brass	1	Gold
1.	Body	Brass	1	White bronze
NO.	DESCRIPTION	MATERIAL	Q' TY	FINISH

繪圖DRAWN	SCALE	UNITS		夏尼有限公司	
Jenny	比例 2:1	單位 mm		SHINING PRECISION CO., LTD	
審核CHECKED	公差TOLERANCE		圖名	UG 1187 TA	
Peter	.X	±0.2	TITLE		
主管APPROVAL	.XX	±0.1	版次REV.	電腦圖檔CAD FILE	日期DATE
	.XXX	±0.05	A	C:/Shining/Factory/CUS/FK/UG 1187 TA.dwg	2011.10.20
Peter	ANGLE	±0.5°			