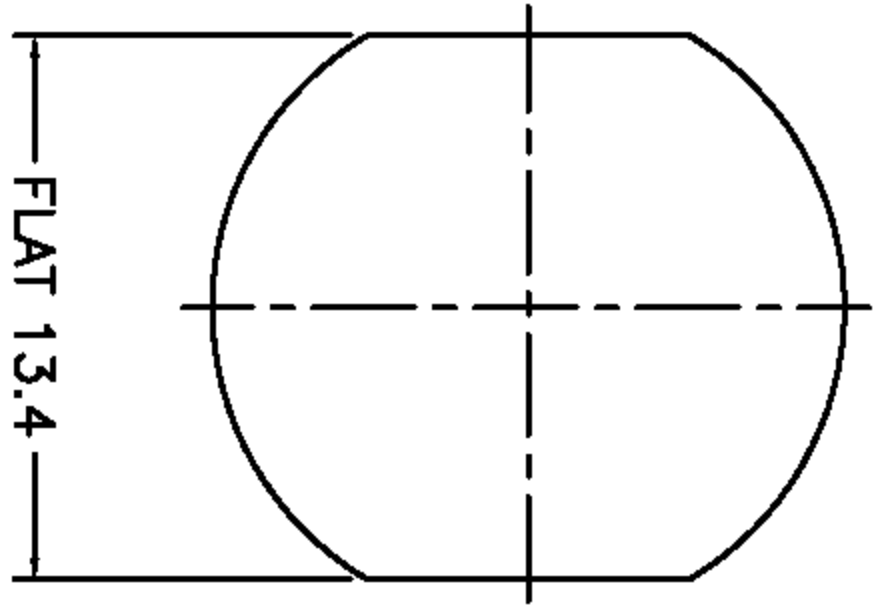


**SPECIFICATIONS :**

IMPEDANCE : 50 OHM  
 FREQUENCY RANGE : 0-11 GHz  
 WORKING VOLTAGE : 1,500 V MAX  
 INSULATION RESISTANCE : 5,000 MEGOHMS MIN  
 DIELECTRIC WITHSTANDING VOLTAGE : 2,500 V MIN  
 CONTACT RESISTANCE : CENTER CONTACT : 1.0 MILLIOHMS  
 OUTER CONTACT : 0.2 MILLIOHMS  
 VSWR : STRAIGHT : 1.3 MAX  
 RIGHT ANGLE : 1.35 MAX



**ROHS COMPLIANT**

NUT	BRASS	1	NICKEL
WASHER	BRASS	1	NICKEL
GASKET	S.L.RUBBER	1	-
FERRULE	BRASS	1	NICKEL
SMALL PIN	BRASS	1	GOLD
INSULATOR	TEFLON	2	-
CENTER PIN	PHOSPHOR BRONZE	1	GOLD
BODY	BRASS	1	NICKEL
DESCRIPTION	MATERIAL	Q'TY	FINISH

DRAWN	WCW	SCALE	2.5 : 1
DESIGNED	WCW	UNIT	mm
APPROVED	YTT	TOLERANCE	±0.2
REMARK		DATE	OCT/30/1998

PART NUMBER N1-8502-LMR200  
 DESCRIPTION:  
 N JACK BULKHEAD CONNECTOR  
 CRIMP FOR LMR200 CABLE