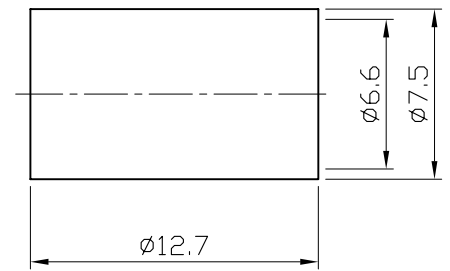
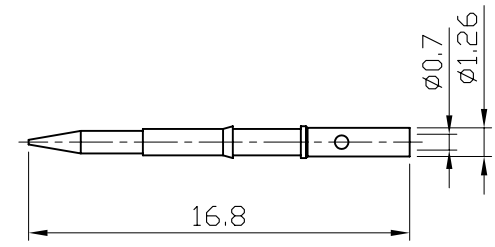
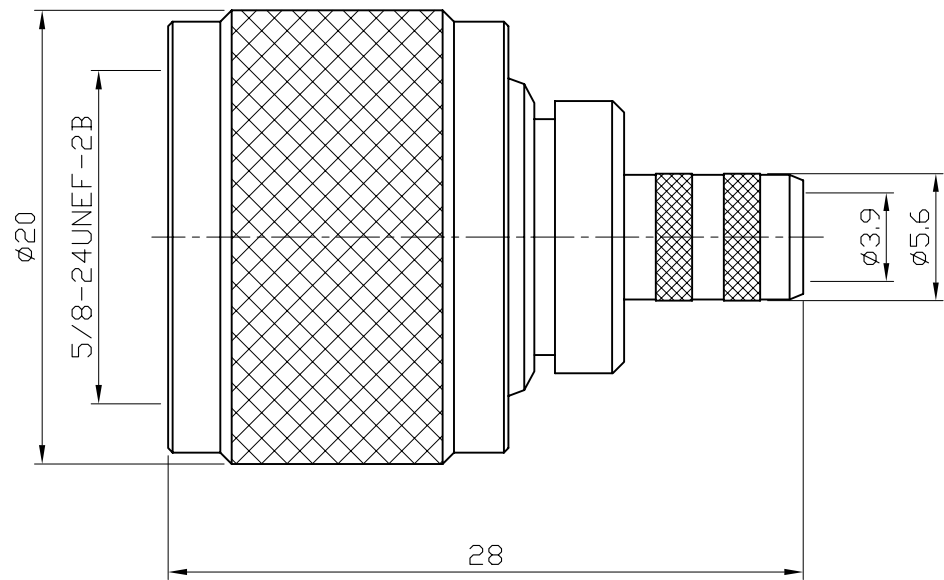


REVISION			
REV.	DESCRIPTON	DATE	APPROVED
T	INITIAL RELEASE	2013/05/14	



NOTES: FINISH (PLATING THICKNESS IN MICRO-INCHES)

1. BRASS.
2. TIN-ZINC-COPPER-ALLOY PL. 100 MIN.  
OVER COPPER PL. 50 MIN.
3. GOLD PL. 4 MIN. OVER NICKEL-PHOSPHORUS ALLOY  
PL. 80 MIN. OVER COPPER PL. 20 MIN.

※注意滾包零件1時不可太緊或往後掉出,要能順暢旋轉即可!!

NO.	DESCRIPTION	MATERIAL	FINISH	Q'TY	PART NO.	DIMENSION ARE MILLIMETERS UNLESS OTHERWISE SPECIFIED TOLERANCES	SCALE 3 / 1	REV T	UNIT MM	JYE BAO CO., LTD. TAIPEI TAIWAN		
6	FERRULE	COPPER	NOTE 2	1	BNC3100-0059-9/W	0 ~ 5 = ±0.05 5 ~ 10 = ±0.07 10 ~ 20 = ±0.10 20 ~ 30 = ±0.15 30 ~ = ±0.20	APPROVED			DATE	TITLE	
5	GASKET	SILICONE		1	N3100-9058-6		CHECKED				DATE	N CRIMP PLUG
4	CONTACT PIN	NOTE 1	NOTE 3	1	N3100B-0059-4/NM		DRAWING				DATE	DRAWING NO.
3	INSULATOR	TEFLON		1	N3100B-0006-3							N3100B-0059
2	BODY	NOTE 1	NOTE 2	1	N3100B-0059-2/W							
1	SHELL	NOTE 1	NOTE 2	1	N3100B-1/W							

# JYE BAO CO., LTD.

## CABLE ASSEMBLY INSTRUCTION

N3100B-0059	DATE	2014/04/29	REV	—
-------------	------	------------	-----	---

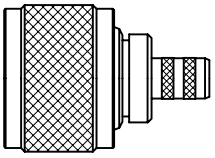
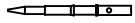
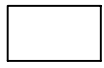
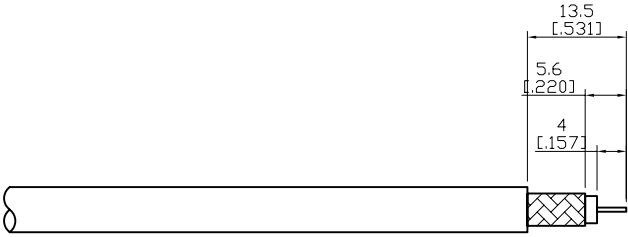
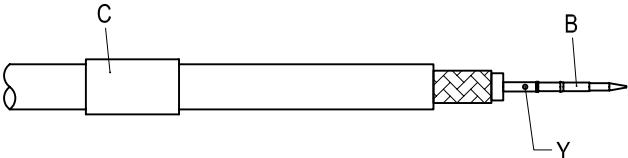
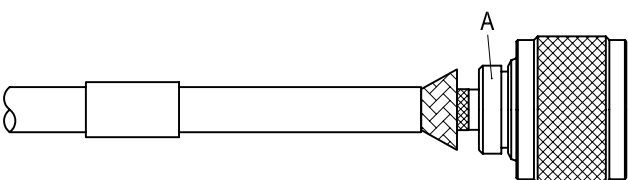
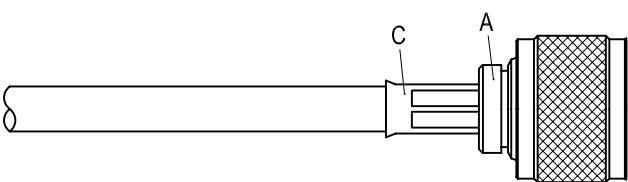
<p>A</p>  <p style="text-align: center;">BODY</p>	<p>B</p>  <p style="text-align: center;">CONTACT PIN</p>	<p>C</p>  <p style="text-align: center;">FERRULE</p>
--	---	---

DIAGRAM	ASSEMBLY INSTRUCTION
---------	----------------------

	<p>Step 1: STRIP AS SHOWN.</p>
--	--------------------------------

	<p>Step 2: SLIDE FERRULE " C " OVER CABLE.          Step 3: PUT PIN " B " ON CENTER CONDUCTOR AND SOLDER OR CRIMP IN " Y ".          (USE SQUARE 0.98mm/0.039inch SECTION OF INSERT-A IF CRIMPED)</p>
---	---

	<p>Step 4: LOOSEN BRAIDING AND SLIDE CONNECTOR " A " IN PLACE.</p>
---	--

	<p>Step 5: SLIDE FERRULE " C " TOWARDS THE CONNECTOR " A " AND CRIMP.          (USE 6.5mm/0.256inch HEX SECTION OF INSERT-E)</p>
---	--

This part number complies with RoHS.

Notice: JYEBAO reserves the right to make modifications deemed appropriate.

APPROVED	CHECKED	DRAWING
----------	---------	---------

*Albert*