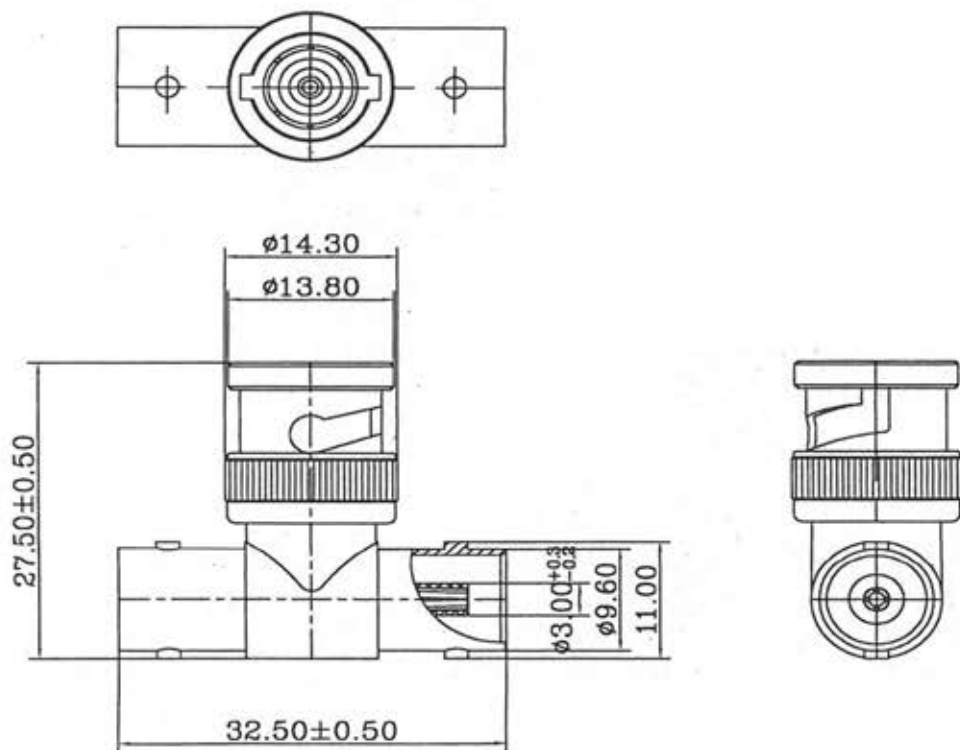


T-Adaptor 1x BNC plug to 2x BNC jack 75 Ohm



11	BODY	ZINC	1	NICKEL PLATED
10	INSULATOR	POM	2	NATURAL
9	CENTER CONTACT	P-BRONZE	1	GOLD PLATED
8	WASHER	IRON	1	NICKEL PLATED
7	WASHER	IRON	1	NICKEL PLATED
6	SPRING	65Mn	1	NATURAL
5	GASKET	PVC	1	RED
4	INSULATOR	POM	1	NATURAL
3	OUT CONTACT	ZINC	1	NICKEL PLATED
2	SHELL	ZINC	1	NICKEL PLATED
1	CENTER CONTACT	BRASS	1	GOLD PLATED
ITEM	DESCRIPTION	MATERIAL	Q'TY	FINISHED

Unit in mm

Tolerances:

0-0.5mm ± 0.10 mm	0.5-8mm ± 0.20 mm
8-30mm ± 0.40 mm	30-120mm ± 0.50 mm

All material in accordance with RoHS + REACH!

Prep.:	Date:	Rev.:	Date:	Remark:	Prep.:	Check.:	Item No.:	B01/75
J.A.	20.03.15							
Check.:	Date:						Customer Item No.:	7328-75
							EAN Bar Code:	
Approv.:							All rights reserved	Page 1 of 1