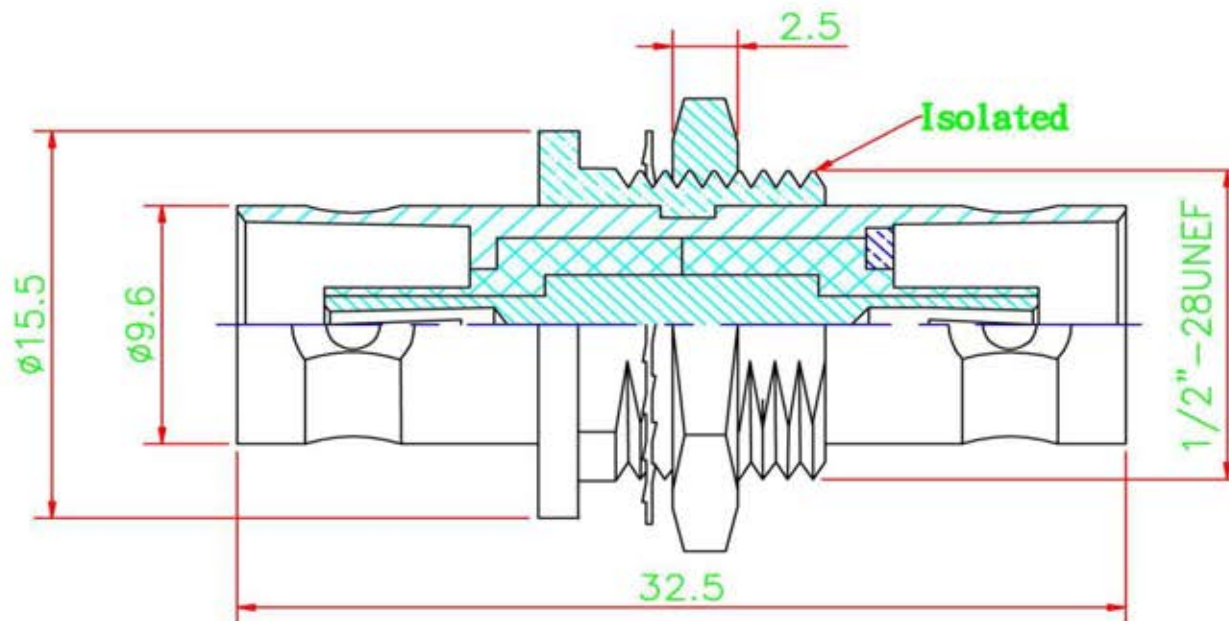


Connector BNC jack to BNC jack 75 Ohm
Bulkhead, isolated



				Dimensions Are In Millimeters Unless Otherwise Specified Tolerances
NO	Description	Material	Finish	
1	Body	Brass	Nickel	
2	Insulator	Teflon	—	0.5-6 = ± 0.2
3	Contact	P.H Bronze	Gold	6-30 = ± 0.4
4	Washer	Stell	Nickel	30-120 = ± 0.6
5	Nut	Brass	Nickel	120-315 = ± 1.0
6	Housing	POM	—	315-1000 = ± 1.6
				1000-2000 = ± 2.4

All material in accordance with RoHS + REACH!

Prep.:	Date:	Rev.:	Date:	Remark:	Prep.:	Check.:	Item No.:	B.92i/75
J.A.	20.03.15							
Check.:	Date:						Customer Item No.:	73271-75-1
							EAN Bar Code:	
Approv.:							All rights reserved	Page 1 of 1