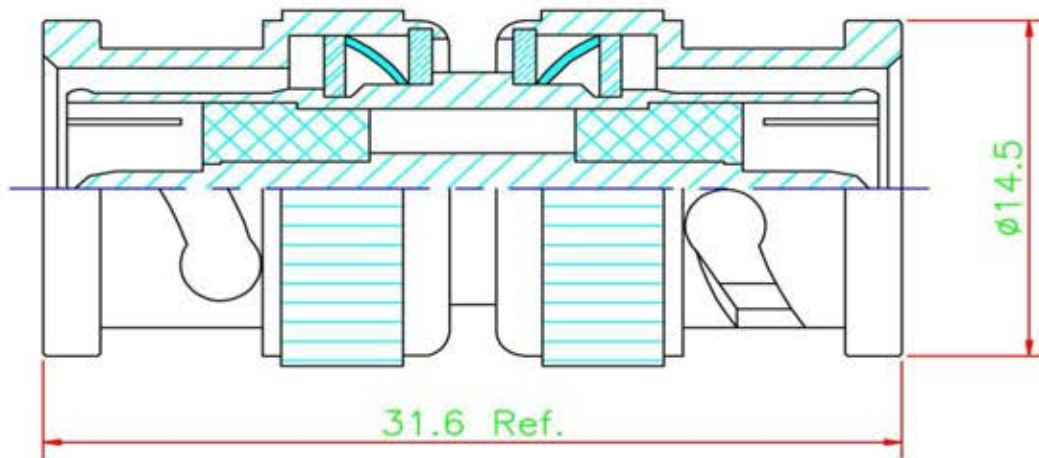


Connector BNC plug to BNC plug 75 Ohm



**Dimensions Are In Millimeters
Unless Otherwise Specified
Tolerances**

NO	Description	Material	Finish	
1	Shell	Brass	Nickel	0.5-6 = ± 0.2
3	Body	Brass	Nickel	6-30 = ± 0.4
4	Insulator	Delrin	-	30-120 = ± 0.6
7	Contactors	Brass	Gold	120-315 = ± 1.0
				315-1000 = ± 1.6
				1000-2000 = ± 2.4

All material in accordance with RoHS + REACH!

Prep.:	Date:	Rev.:	Date:	Remark:	Prep.:	Check.:	Item No.:	B.03/75
J.A.	20.03.15							
Check.:	Date:						Customer Item No.:	7326-75
							EAN Bar Code:	
Approv.:							All rights reserved	Page 1 of 1