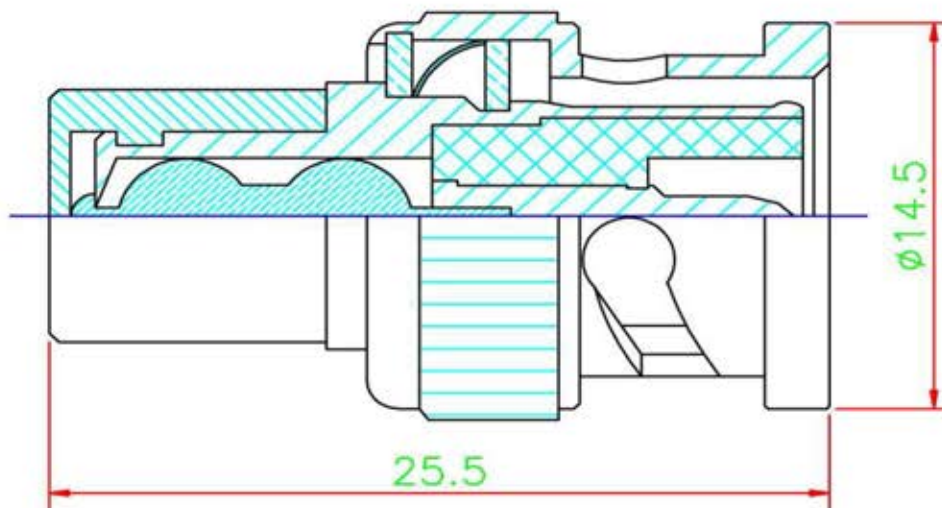


**BNC plug Terminator 50 Ohm**  
with brass cover



NO	Description	Material	Finish	Dimensions Are In Millimeters
1	Shell	Brass	Nickel	<b>Unless Otherwise Specified Tolerances</b> 0.5-6 = ± 0.2 6-30 = ± 0.4 30-120 = ± 0.6 120-315 = ± 1.0 315-1000 = ± 1.6 1000-2000 = ± 2.4
2	Cover	Brass	Nickel	
3	Body	Brass	Nickel	
4	Insulator	Delrin	-	
5	Contactore	Brass	Gold	
6	Terminator	50Ω 1/2W±1%	-	

All material in accordance with RoHS + REACH!

Prep.:	Date:	Rev.:	Date:	Remark:	Prep.:	Check.:	Item No.:	<b>BA.50</b>
J.A.	20.03.15						Customer Item No.:	7325
Check.:	Date:						EAN Bar Code:	
Approv.:							All rights reserved	