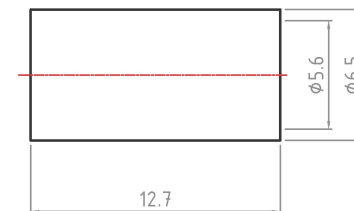
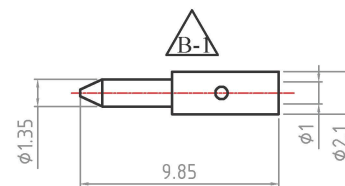
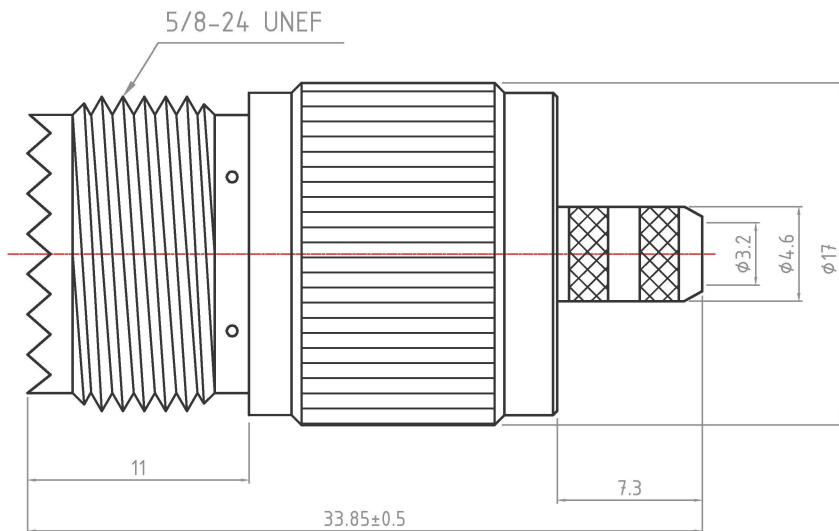


Revisions

Note: Revisions B; B-1; B-2..... On Behalf of Official Drawing. Revisions 1; 2; 3; 4..... On Behalf of Experiment's Drawing.			
ISS	Symbol	Description	Date
B		CHE for New Drawing Frame & New PN System	2006/07/10
B-1		CHE for Item 4 Outline	2014/12/25

Notes :

- Any Electrical, Mechanical or Environmental Test Per MIL-C-39012 Should be Spotlighted, as We May Not Have All Testing Equipment to Cover All of It.
- Single Crimp: Recommended Dimensions Provided for Ferrule.
Dual Crimp: Recommended Dimensions Provided for Ferrule And Center Pin.
Please Advise Single/Dual in Advance to Avoid Any Inconvenience.
- All Metal Materials Are in Compliance with RoHS 2 Directive 2011/65/EU Annex III Section 6 Paragraph.
- Recommended Crimped Hand Tool : **HT-H301Y**



Electrical :

- Impedance : Non-Constant
- Frequency Range : 0-300 MHz .
- Voltage Rating : 750 V rms (depending on cable)
- Insulator Resistance : $\geq 5 \text{ G}\Omega$
- Dielectric Withstanding Voltage : 2000 V rms .
- Contact Resistance : Center Contact $\leq 5 \text{ m}\Omega$.
- Outer Contact $\leq 5 \text{ m}\Omega$.
- VSWR : ≤ 1.5

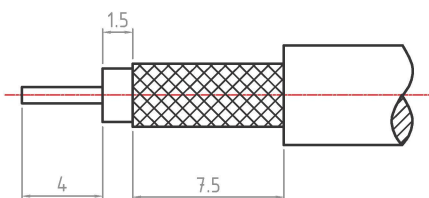
Mechanical :

Mating : 5/8-24 UNEF Screw-on Coupling.

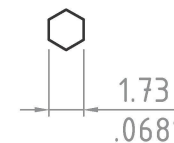
Environmental :

- Temperature Range : -25°C to 70°C
- Corrosion(Salt Spray) : MIL-STD-202, Method 101, Cond. B
- Thermal Shock : MIL-STD-202, Method 107, Cond. B
- Mechanical : MIL-STD-202, Method 213, Cond. G
- Vibration : MIL-STD-202, Method 204, Cond. B

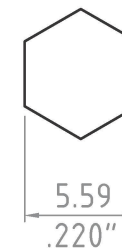
- Finish :** [Unit of Plating Thickness Is in Micro Inch (μ)]
- Nickel Plating Thickness : 50 μ" min.
 - Gold Plating Thickness : μ" max.



Recommended Cable Stripping Dimensions



Recommended Crimping Dimensions for Center Pin



Recommended Crimping Dimensions for Ferrule

*RoHS and REACH are fully complied to create a greener planet for future generations.

Scale	Abbr.	Date	Rev.	DWG.NO.	
NTS	ST	2014/12/25	B-1	U217W0N02-H	
Tolerances :				Customer P/N:	
.X ±0.2				TITLE	
.XX ±0.1				UHF S/T Jack, Dual Crimp Type (Pin in Pin)	
.XXX±0.05				All Dimensions in mm (Unless Otherwise Specified)	
Angular :				RoHS 2	
.X ±1°					
Drawn	Checked	Approved			
Mark	Mark	H. Sun			
2014/12/25	2014/12/25	2014/12/25			
ITEM	Description	Material	Finish	Part Number	QTY
5	Ferrule	Brass	Finish 1		
4	Center Contact	Brass	Finish 1/2		
3	Inner Contact	Brass	Finish 1/2		
2	Insulator	Delrin	None		
1	Body	Brass	Finish 1		