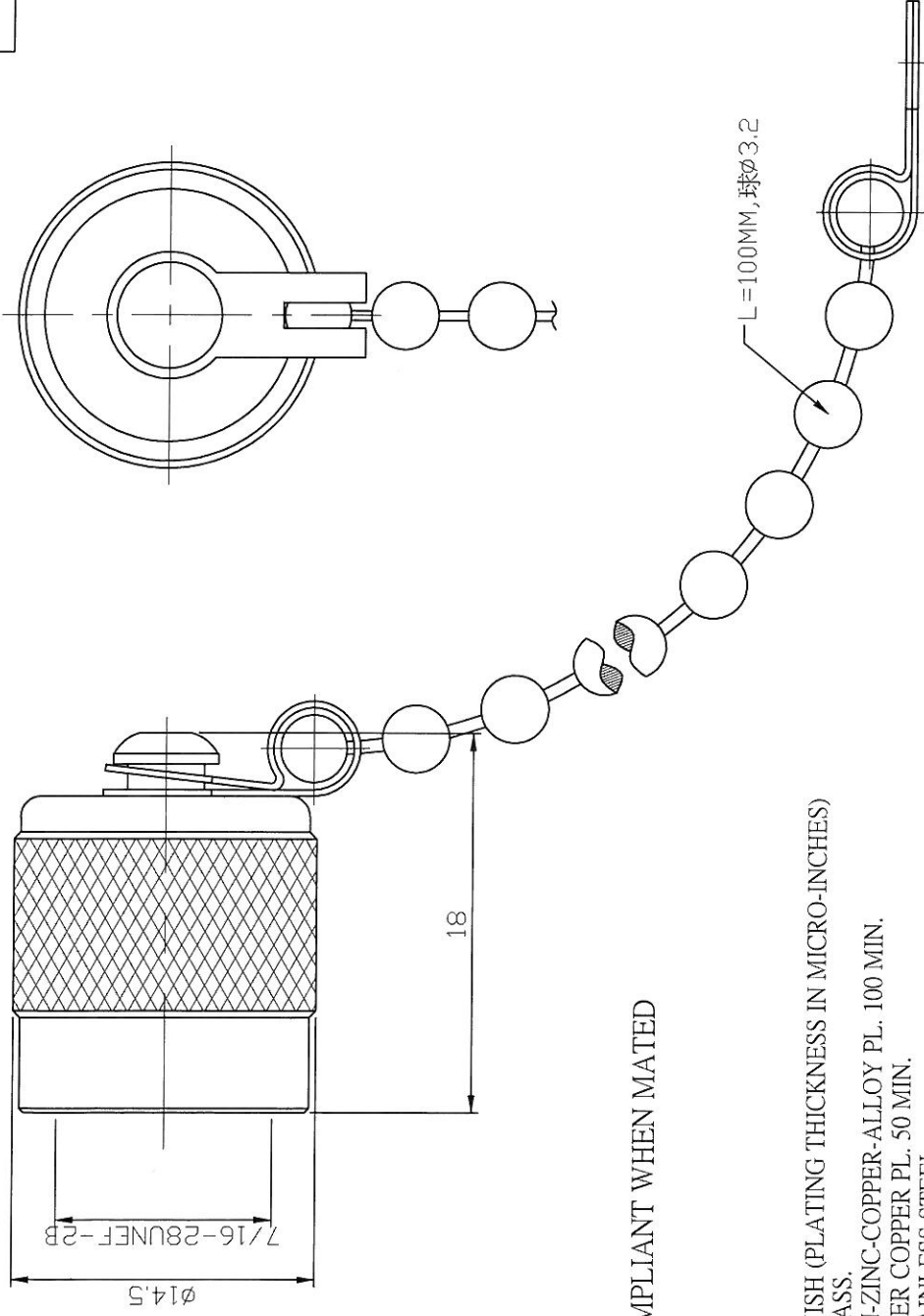


This part number complies with RoHS.

Notice: JYEBAO reserves the right to make modifications deemed appropriate.

REVISION

REV.	DESCRIPTION	DATE	APPROVED
C	零件6材質、組裝方向變更,增加側視圖,組裝重點	10/28/98"	



IP66 COMPLIANT WHEN MATED

NOTES: FINISH (PLATING THICKNESS IN MICRO-INCHES)

1. BRASS.
2. TIN-ZINC-COPPER-ALLOY PL. 100 MIN. OVER COPPER PL. 50 MIN.
3. STAINLESS STEEL.
4. NICKEL PL. 200 MIN. OVER COPPER PL. 50 MIN.

NO.	DESCRIPTION	MATERIAL	FINISH	QTY	PART NO.
6	FREE REED	NOTE 3	NOTE 4	2	N88NY-3-1/NI
5	CHAIN	NOTE 1	NOTE 2	1	F3800-4A/W
4	RIVET	NOTE 1	NOTE 2	1	F3800-3/W
3	WASHER	NOTE 1	NOTE 2	1	BNC3800-3/W
2	GASKET	SILICONE		1	BNC3800-2
1	BODY	NOTE 1	NOTE 2	1	TNC3100-1/W

SCALE:	3 / 1	R / V	C	UNIT	MM
DIMENSION ARE MILLIMETERS UNLESS OTHERWISE SPECIFIED TOLERANCES					
APPROVE:					
CHECKED				DATE	
DRAWN				DATE	
TITLE TNC CAP (OPER) JACK					
DRAWING NO TNC3800-0000					

JYE BAO CO., LTD.
TAIPEI TAIWAN