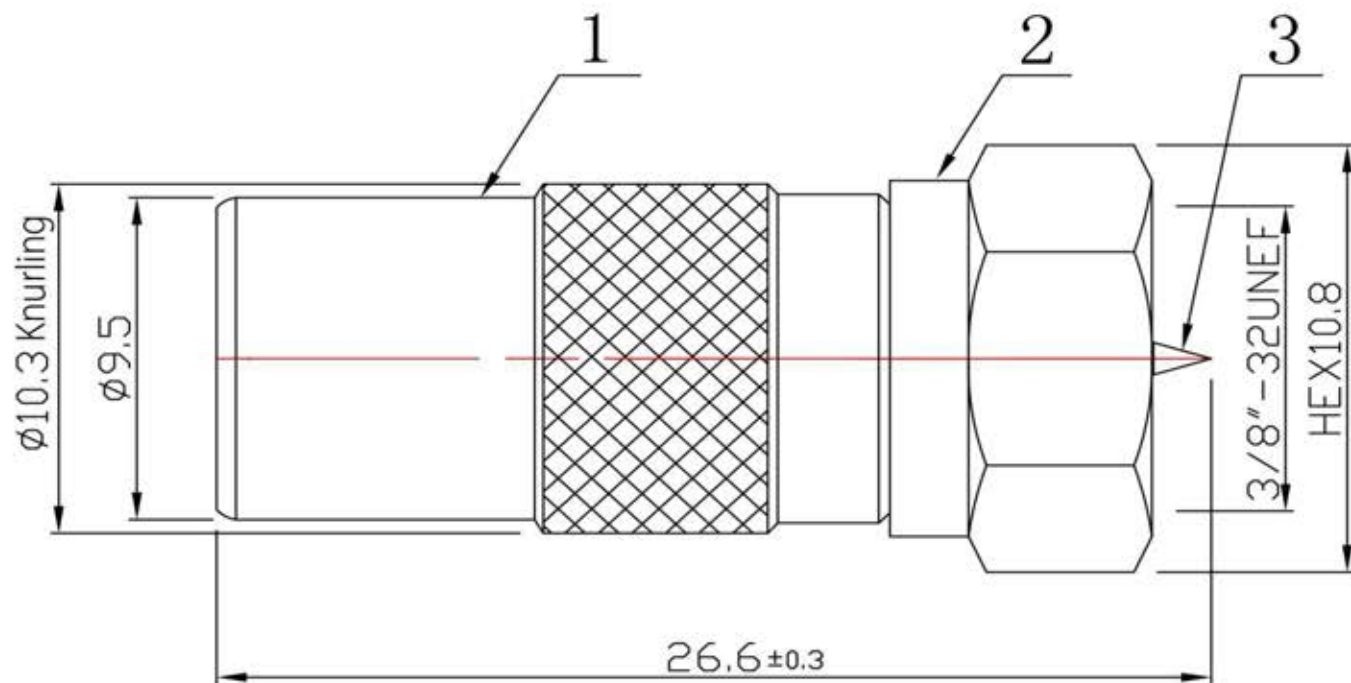


Adapter F plug to IEC plug 9,5 mm



NO	PART NAME	MAT	FINISH
1	COVER	Cu	NI
2	SCREW	Cu	NI
3	PIN	Hpb59-1	NI
	BUSH	Cu	NI
	ISOLATOR	PE	
	ISOLATOR	PE	

All material in accordance with RoHS + REACH!

Prep.:	Date:	Rev.:	Date:	Remark:	Prep.:	Check.:	Item No.:	FI 02
J.A.	27.04.15							
Check.:	Date:						Customer Item No.:	
							EAN Bar Code:	
Approv.:							All rights reserved	Page 1 of 1