

NOTES:

1. MATERIALS AND FINISH (IN MICRO-INCHES)

- BODY = ZINC DIECAST (PER ASTM B86)  
MATTE TIN PL. 100 MIN. THICK OVER NICKEL PL. 100 MIN. THICK OVER COPPER PL.(250 MIN./300 MAX.) THICK
  - INSULATOR = PTFE PER ASTM D1710, COLOR: NATURAL
  - HOUSING = PPE+PS, COLOR:PER TABLE
  - FERRULE = COPPER (PER ASTM B75)  
NICKEL PL. 100 MIN. THICK OVER COPPER STRIKE
  - O-RING = SILICONE RUBBER, COLOR: RED
  - SHRINK TUBING = POLYOLEFIN, ADHESIVE LINED, COLOR: BLACK
- CONTACT SUPPLIED SEPARATELY AS P/N: FKCP03302 (5,000 PCS. REEL)  
CABLE DEFINITIONS PER AMPHENOL REPORT DE825

2. ELECTRICAL:

- A. IMPEDANCE: 50 OHM, NOMINAL
- B. FREQUENCY RANGE: DC-3.0 GHz
- C. VSWR(RETURN LOSS): 1.200 (-20.8dB) MAX.(DC-200 MHz)  
(MATED PAIR) 1.400 (-15.6dB) MAX.(200 MHz-2.0 GHz)  
1.500 (-13.9dB) MAX.(2.0-3.0 GHz)
- D. D.W.V.: 800 VRMS, MIN.

3. MECHANICAL:

- A. DURABILITY: 100 CYCLES MIN.
- B. TEMPERATURE RANGE: -40° C TO 85° C
- C. USCAR-17 COMPLIANT
- D. INTERFACE PER DIN 72594-1
- E. ENVIRONMENTAL SEAL (WHEN MATED): IP67

4. PACKAGING:

- A. QUANTITY: TRAY PACK
- B. MARKING: TRAY TO BE MARKED  
"AMPHENOL RF, 3FAIENXSJ-C04E0, AND DATE CODE"

5. CABLE ASSEMBLY INSTRUCTIONS PER 349-50910

CODING	DRAWING NO.	COLOR	RAL NO.
A	3FAIENASJ-C04E0	JET BLACK	9005
B	3FAIENBSJ-C04E0	CREAM	9001
C	3FAIENC SJ-C04E0	SIGNAL BLUE	5005
D	3FAIENDSJ-C04E0	CLARET VIOLET	4004
E	3FAIENESJ-C04E0	LEAF GREEN	6002
F	3FAIENFSJ-C04E0	NUT BROWN	8011
G	3FAIENG SJ-C04E0	BLUE GREY	7031
H	3FAIENHSJ-C04E0	HEATHER VIOLET	4003
I	3FAIENISJ-C04E0	BEIGE	1001
K	3FAIENKSJ-C04E0	CURRY	1027
L	3FAIENLSJ-C04E0	CARMINE RED	3002
M	3FAIENMSJ-C04E0	PASTEL ORANGE	2003
N	3FAIENNSJ-C04E0	PASTEL GREEN	6019
Z	3FAIENZSJ-C04E0	WATER BLUE	5021

UNLESS OTHERWISE SPECIFIED, DIMENSIONS ARE IN METRIC AND TOLERANCES ARE:  
 <0.5mm ±0.05mm    0.5 - 6mm ±0.1mm    6 - 30mm ±0.2mm    30 - 120mm ±0.3mm    ANGLES ±1°

NOTICE - These drawings, specifications, or other data (1) are, and remain the property of Amphenol corp. (2) must be returned upon request; and (3) are confidential and not to be disclosed to any person other than those to whom they are given by Amphenol Corp. the finishing of these drawings, specifications, or other data by Amphenol Corp., or to any other person to anyone for any purpose is not to be regarded by implication or otherwise in any manner licensing, granting rights to permitting such holder or any other person to manufacture, use or sell any product, process or design, patented or otherwise, that may in any way be related to or disclosed by said drawings, specifications, or other data.

MATERIAL	DRAWN C.YU	DATE 25-Nov-15
REFERENCE EAR #7009 AND	ENGINEER R.SHANG	DATE 25-Nov-15
CONFIGURATION LEVEL:	APPROVED S.HSIEH	DATE 26-Sep-16
FINISH	CAD FILE	

TITLE GEN 3.5 FAKRA JACK, C04 CABLE GROUP, IP67 SEALED TAPE AND REEL CONTACT (SUPPLIED SEPARATELY)	SCALE:2.5:1.0	SHEET 2 OF 2
DWG SIZE B	REV A	

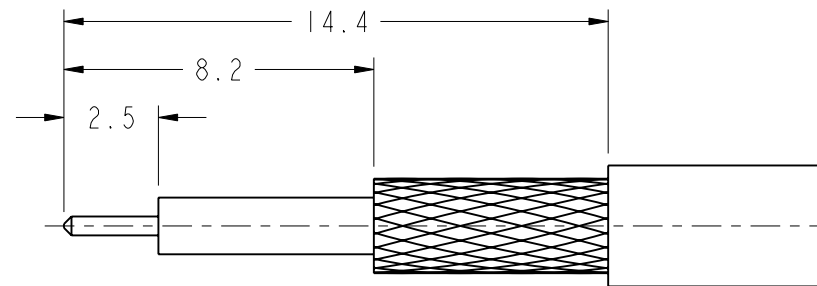
Danbury CT USA, Tainan, Taiwan, Shenzhen, China www.amphenolrf.com	
DRAWING NO.	3FAIENXSJ-C04E0
ITEM NO.	3FAIENXSJ-C04E0
PART NO.	3FAIENXSJ-C04E0

THIRD ANGLE PROJ.

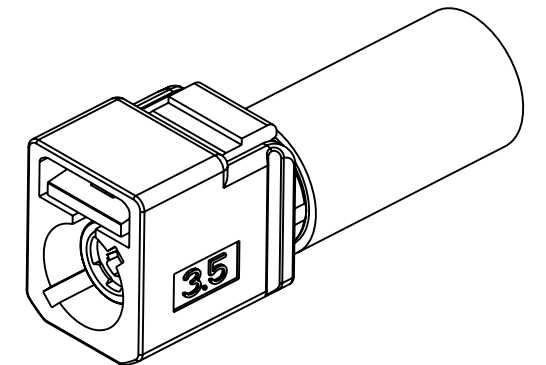
REVISIONS

REV	DESCRIPTION	DATE	ECO	APPR
A	RELEASE TO MFG.	22-Sep-16	1924	EW

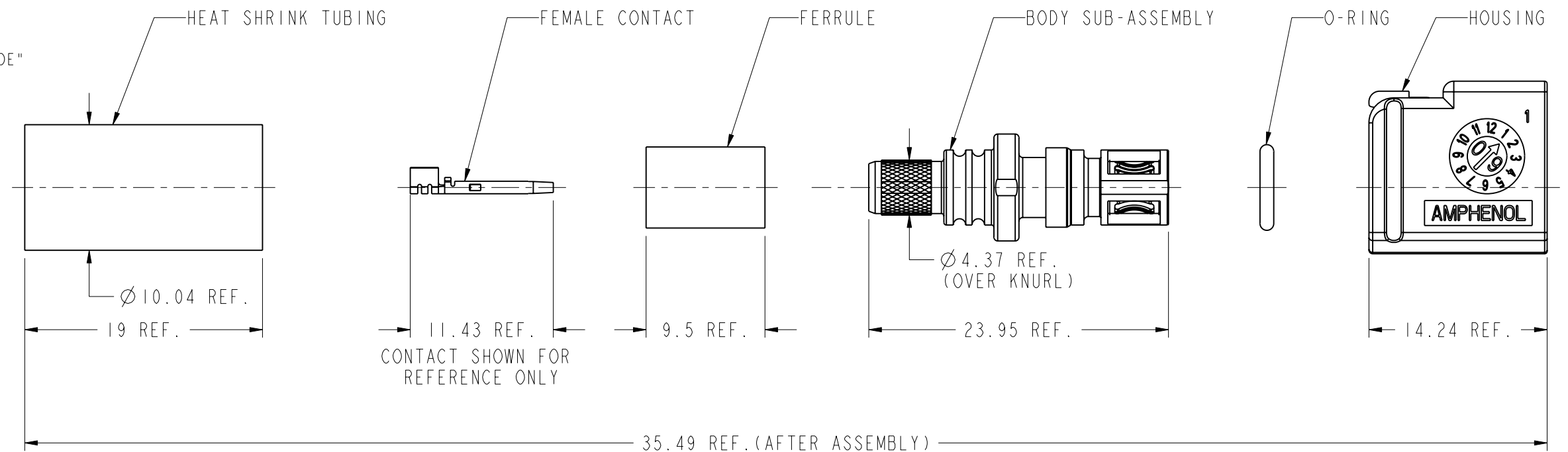
**CONFIGURATION CONTROL:**  
NO CHANGES PERMITTED TO DRAWING WITHOUT  
PPAP QUALIFIED CUSTOMER APPROVAL



RECOMMENDED  
CABLE STRIPPING DIMENSIONS



SCALE 2.000



**CUSTOMER OUTLINE DRAWING**

ALL OTHER SHEETS ARE FOR INTERNAL USE ONLY