

# 5711-25-6G-30DB

Fixed attenuators are placed in signal paths to reduce power transmission and are set at a fixed attenuation by symmetrical resistive networks that follows a T, L or Pi configuration. Their configuration can either be in waveguide, in surface mount or coaxial, and depending on their application, they can either be directional or bidirectional.

Connector material: brass gold plated

Product surface treatment: aluminum casing cleaning passivation

Nominal impedance: 50Ω

Temperature range: -55 ° C ~ +125 ° C

Connector: N( J-K) male input and female output

Dimensions: Ø38×83mm

Weight: 120g

## Performance:

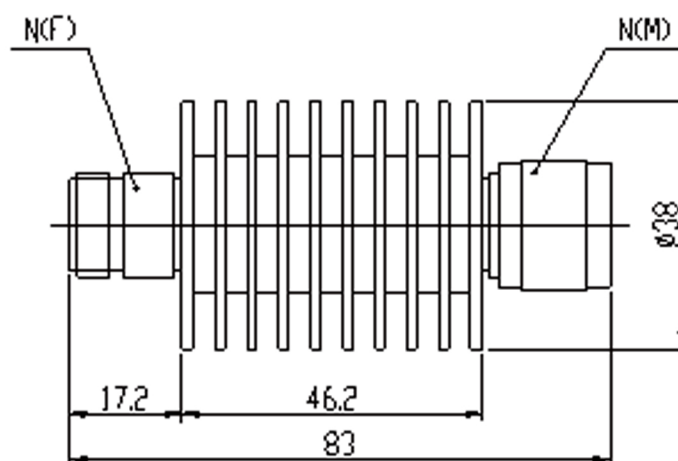
Average Power:25W

Frequency range: DC-6GHz

Attenuation: 3, 6,10,15,20,30,40dB available, and 3-30dB ±0.5dB, 40dB±1dB

VSWR:≤1.3

## PHYSICAL DIMENSIONS:



Unit:mm  
Dimension tolerance:±2%